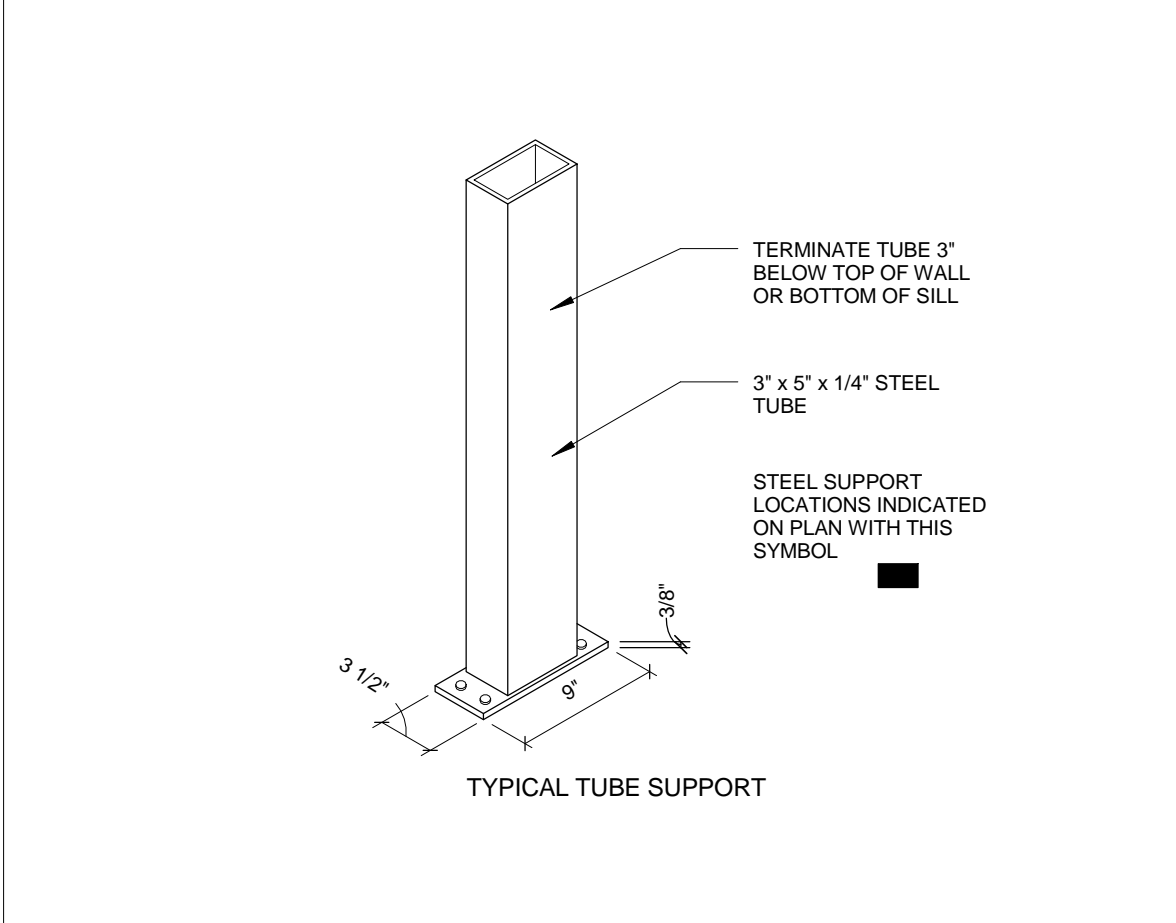
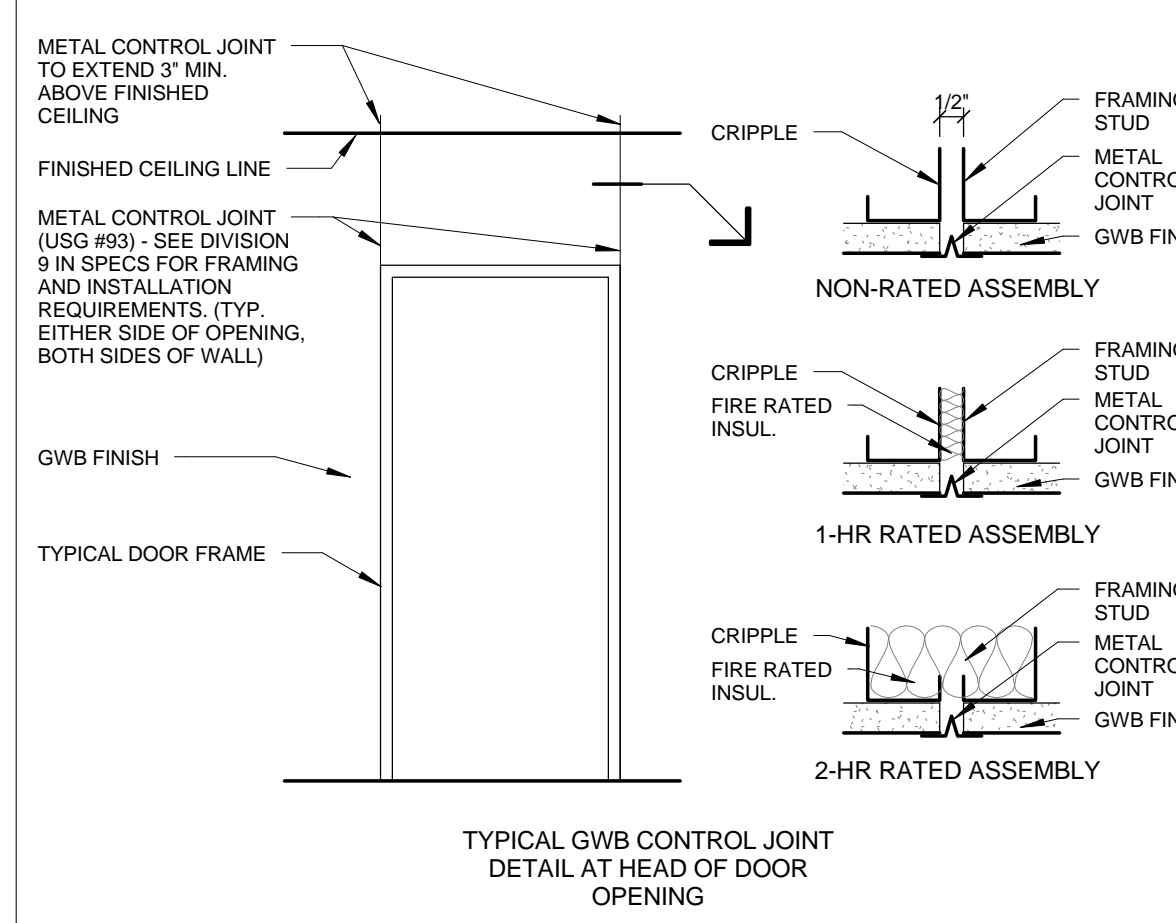
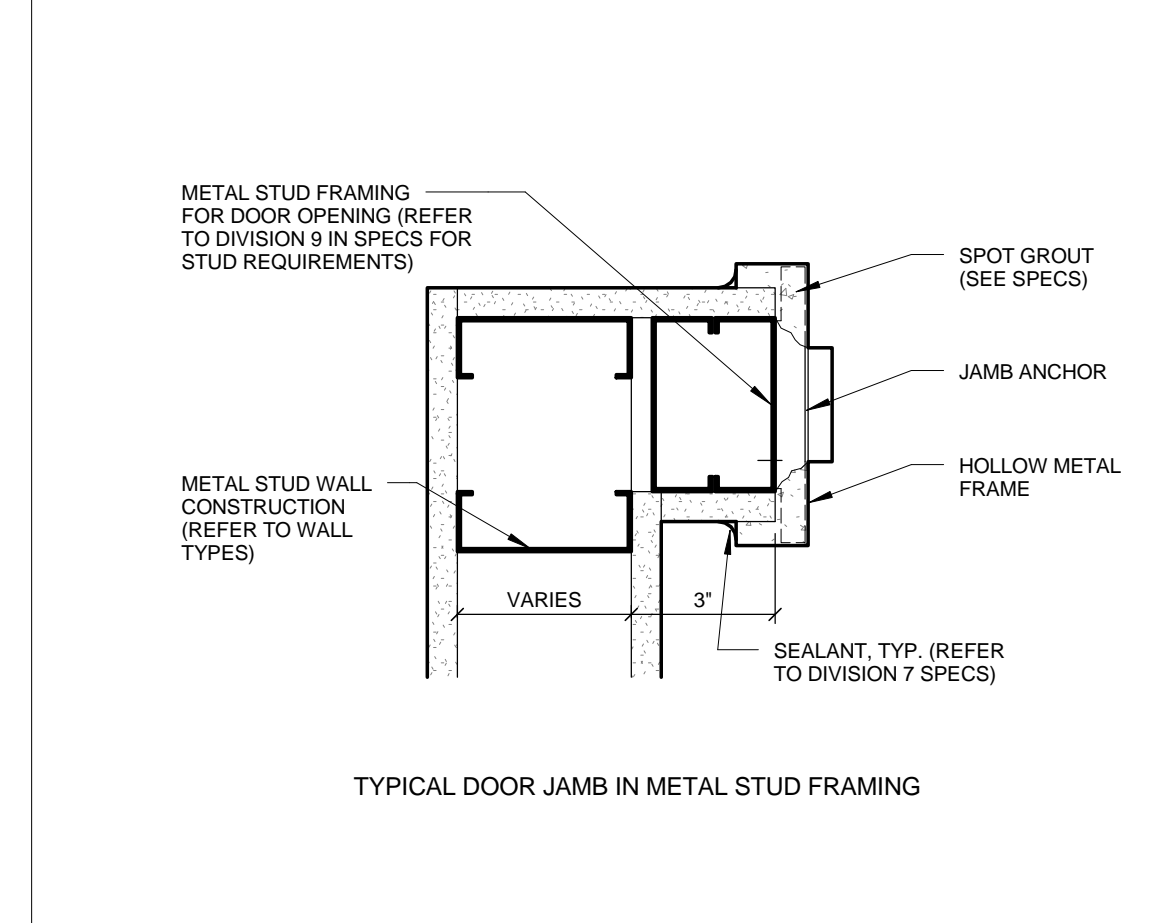


064023.A  
 084113.A2  
 092216.B  
 092216.C  
 092900.A

1/2" THICK SOLID SURFACE ASSE  
 EXPOSED EDGE  
 ALUMINUM STOREFRONT ASSE  
 1 5/8" METAL STUDS  
 3 5/8" METAL STUDS  
 5/8" TYPE X GYPSUM WALLBOA  
 SPECIFICATIONS FOR FURTHER  
 SPECIFIC LOCATION OF VARIOU

NOTE 3  
 GUARDRAIL SUPPORT MEMBER  
 MORE THAN 4'-0" O.C. AND AS  
 BE EQUALLY SPACED ALONG R

1 TERMINATION OF WOOD WALL PANEL - WEST END, GROUND LEVEL LOBBY 181  
 2  
 3  
 4 CLOSURE AT 2-HOUR RATED MECHANICAL CHASE  
 5  
 6  
 7 WALL FRAMING AT SOUTHWEST CORNER OF ELEVATOR EV1 - LOWER LEVEL  
 8  
 9  
 10 2-HOUR WALL ENCLOSURE AT ELEVATOR EQUIPMENT - SOUTHWEST CORNER  
 11  
 12 2-HOUR WALL ENCLOSURE AT ELEVATOR EQUIPMENT - NORTHWEST CORNER



**PROJECT CONSULTANTS**

STRUCTURAL ENGINEER  
 NAME: [REDACTED]  
 ADDRESS: [REDACTED]  
 CITY: [REDACTED] IA  
 T: 402-477-7690

CIVIL ENGINEER  
 NAME: [REDACTED]  
 ADDRESS: [REDACTED]  
 CITY: [REDACTED] IA  
 T: 402-477-7690

MECHANICAL/ELECTRICAL ENGINEER  
 NAME: [REDACTED]  
 ADDRESS: [REDACTED]  
 CITY: [REDACTED] IA  
 T: 402-477-7690

**K4** TYPICAL DOOR JAMB  
 SCALE: 3" = 1'-0"  
 TYPICAL FRAMING AND FINISH CONDITIONS AT HM DOOR FRAMES

**K7** TYPICAL GWB CONTROL JOINT  
 SCALE: 3" = 1'-0"  
 GWB CONTROL JOINT DETAILS PER USG CONSTRUCTION HANDBOOK

**K10** STEEL TUBE SUPPORT DETAIL  
 SCALE: 1" = 1'-0"  
 SUPPORT TUBE AT PARTIAL HEIGHT INTERIOR GWB WALLS

**Bone Creek Museum of Agrarian Art**  
 Bone Creek Museum of Agrarian Art

TERMINATION OF WOOD WALL PANELING AT HOISTWAY OPENINGS AND ART GLASS NICHE

TERMINATION OF WOOD WALL PANELING AT CORRIDOR 184 - CORRIDOR 182 SIMILAR

TYPICAL HM FRAME DETAIL AT PRECAST STAIR TOWER PANEL

WOOD PANELING AT GRIDS C/7 - SECOND LEVEL

WOOD PANELING AT GRIDS C/8 - SECOND LEVEL

2-HOUR WALL ENCLOSURE AT ELEVATOR EQUIPMENT - NORTHWEST CORNER

WOOD PANELING AT GRIDS C/8 - GROUND LEVEL

WOOD PANELING AT GRIDS C/7 - GROUND LEVEL

FLOOR EDGE ABOVE INTERMEDIATE LANDING - STAIR ST04

HEAD DETAIL AT AL39 - GROUND LEVEL - STAIR ST01

