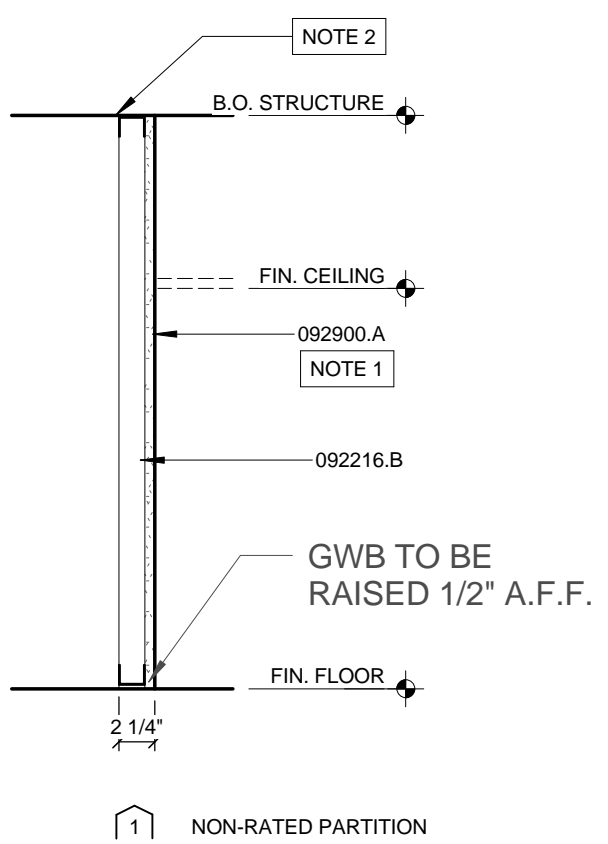
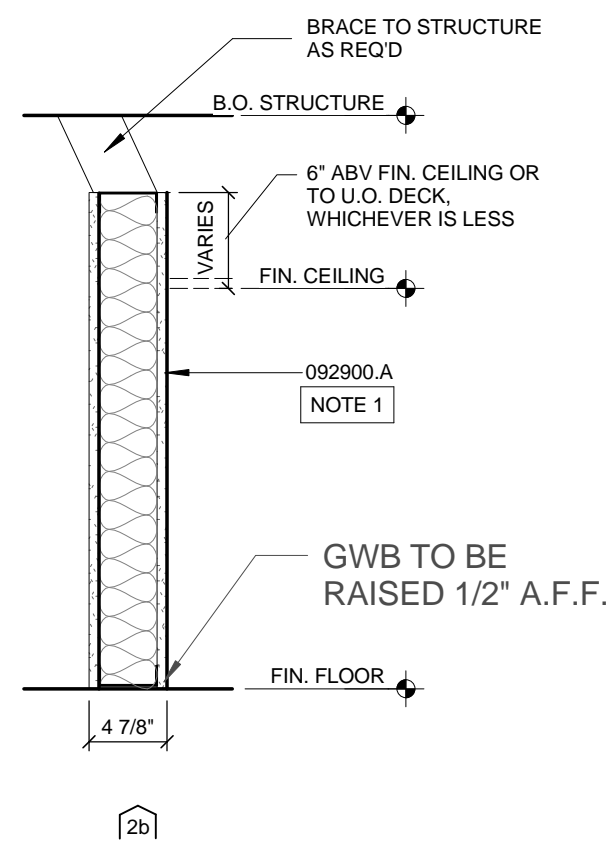
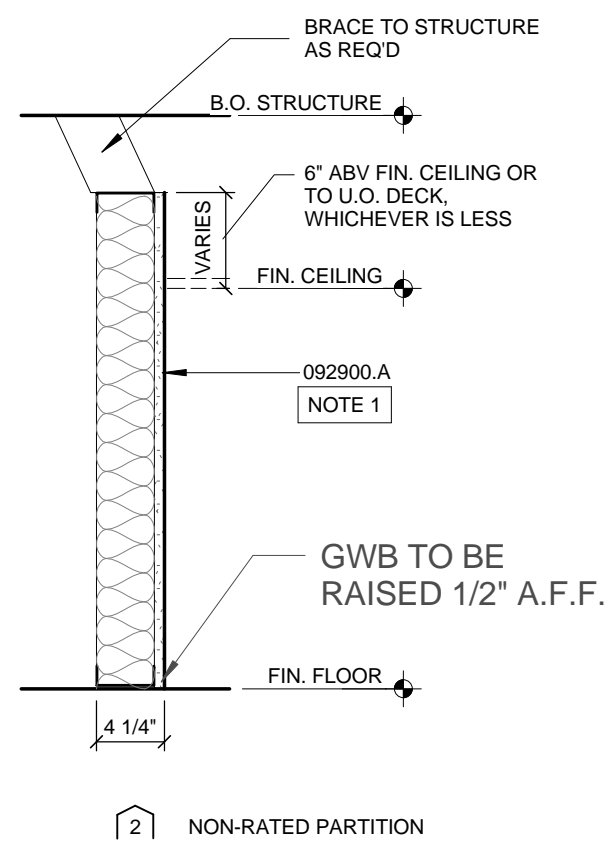


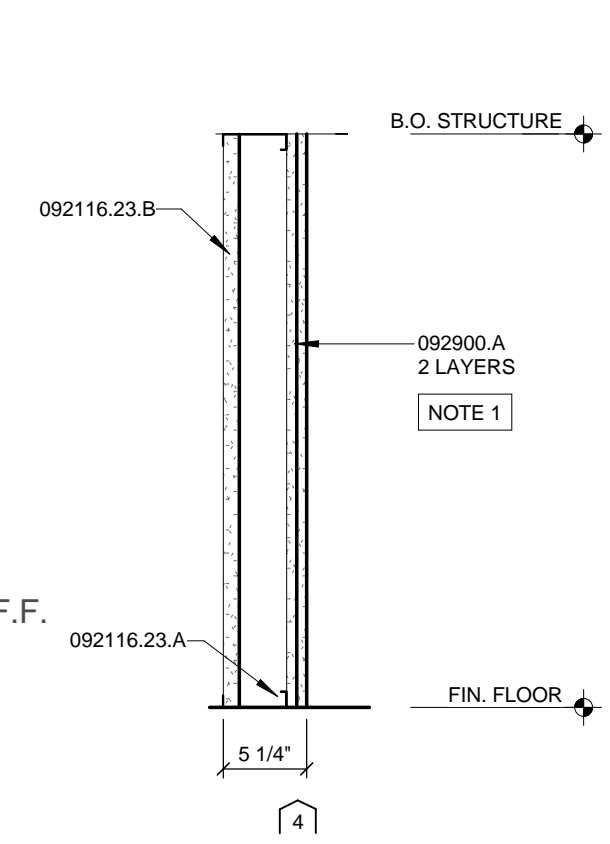
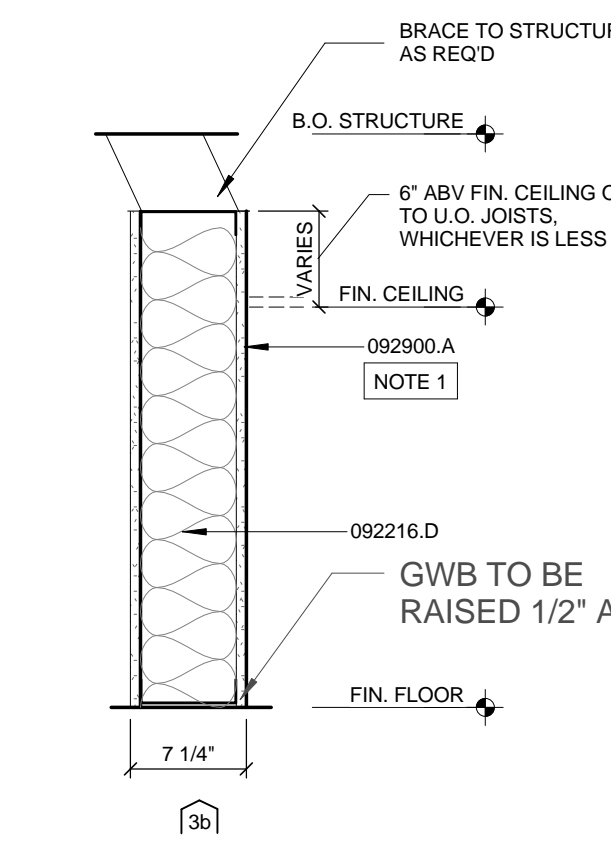
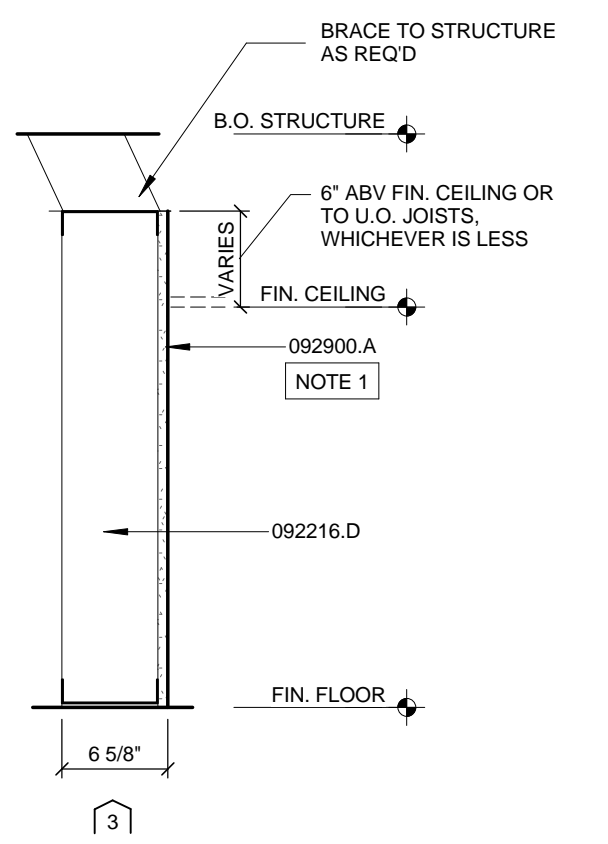
**TYPE 1 PARTITIONS**



**TYPE 2 PARTITIONS**



**TYPE 3 PARTITIONS**



**G1 WALL TYPES**

SCALE: 1" = 1'-0"

	CONCRETE - CAST IN PLACE
	CONCRETE - PRECAST
	GYPSUM WALLBOARD
	INSULATION - PERIMETER
	INSULATION - RIGID
	MASONRY - BRICK
	MASONRY - CMU
	MASONRY - GROUT FILL
	MASONRY - MORTAR NET
	EARTH
	WOOD FIBER DECKING
	WOOD - FINISH

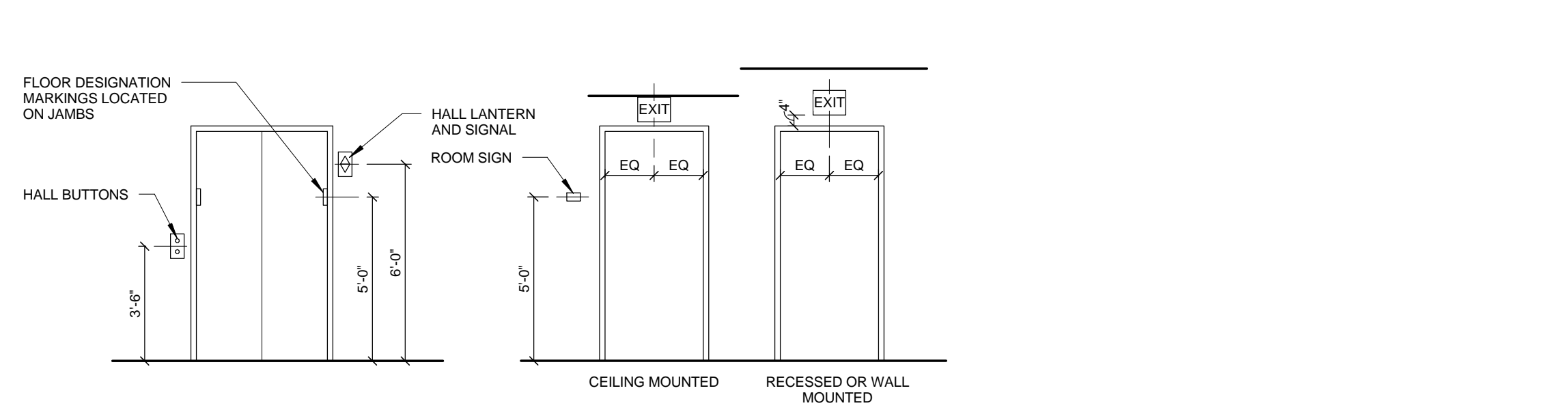
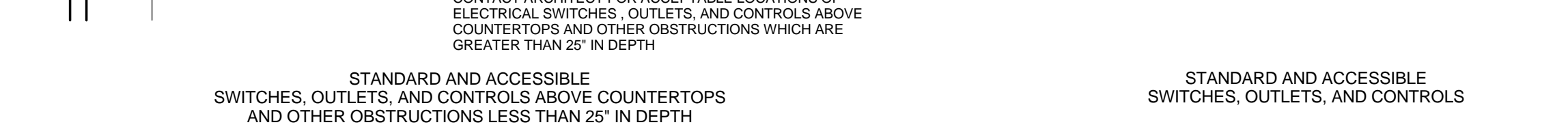
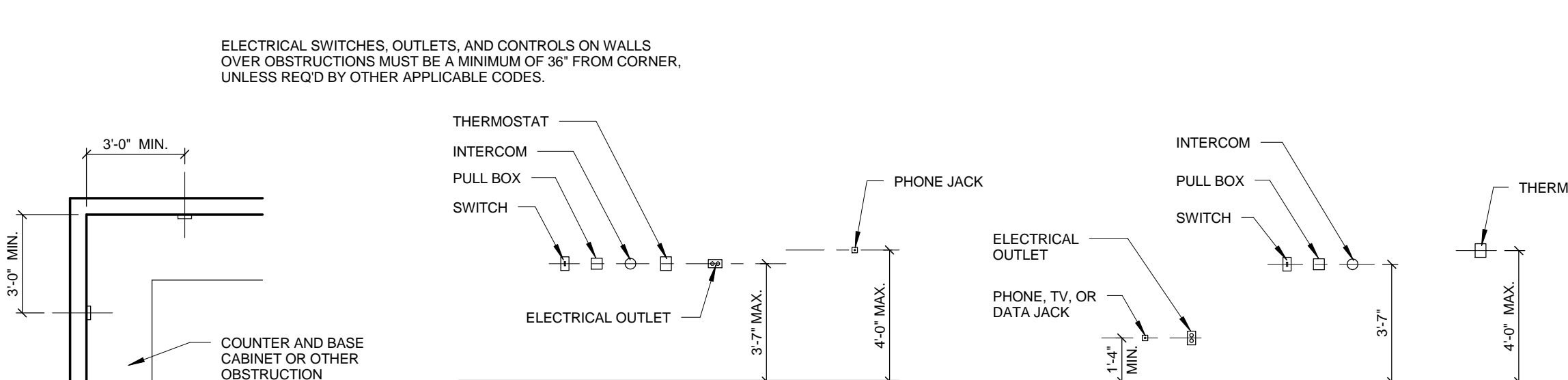
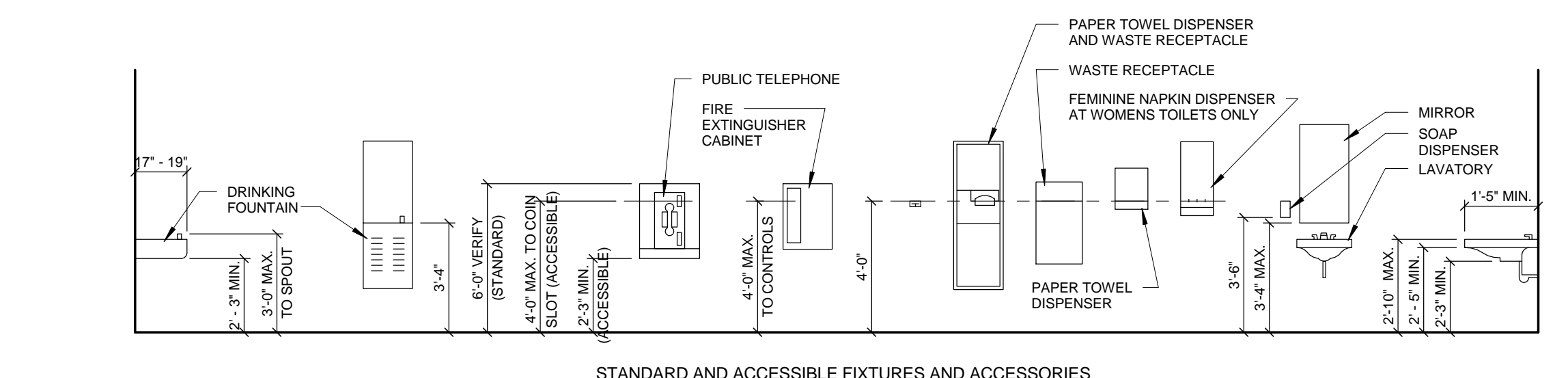
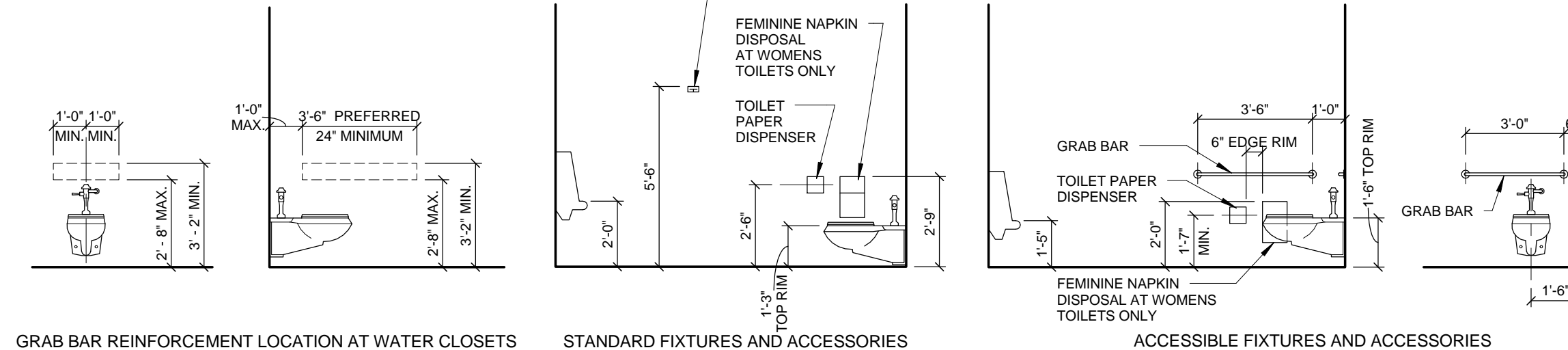
**A2 STANDARD HATCHES**

SCALE: 1/2" = 1'-0"

	NORTH ARROW
	BUILDING SECTION SECTION IDENTIFICATION NUMBER SHEET NUMBER WHERE SECTION IS DRAWN
	WALL SECTION SECTION IDENTIFICATION NUMBER SHEET NUMBER WHERE SECTION IS DRAWN
	INTERIOR ELEVATION ELEVATION IDENTIFICATION NUMBER SHEET NUMBER WHERE ELEVATION IS DRAWN
	DETAIL DETAIL IDENTIFICATION NUMBER SHEET NUMBER WHERE DETAIL IS DRAWN
	WINDOW TYPE
	WALL TYPE
	REVISION REVISION NUMBER (CLOUD AROUND REVISION)
	CONTROL POINT
	VERTICAL CONTROL DIMENSION
	COLUMN REFERENCE
	DOOR NUMBER
	ROOM IDENTIFICATION ROOM NAME ROOM NUMBER
	SPECIAL NOTE
	KEYNOTE
	NEW SPOT ELEVATION
	TOP OF CURB
	TOP OF PAVEMENT

**A4 STANDARD SYMBOLS**

SCALE: 1/8" = 1'-0"



**E7 MOUNTING HEIGHT GUIDELINES**

SCALE: 1/4" = 1'-0"

ABBREVIATIONS	ABBREVIATIONS	ABBREVIATIONS	ABBREVIATIONS
@ AT	DPR DISPENSER	IG INSULATING GLASS	REST RESTROOM
ABV ABOVE	DRWRS DRAWERS	IG-LE INSULATING GLASS - LOW 'E'	RM ROOM
ADJ ADJUSTABLE	DS DOWNSPOUT	INSUL INSULATION	RUB RUBBER
AFF ABOVE FINISHED FLOOR	DTL DETAIL	JAN JANITOR	S CONC SEALED CONCRETE
ALUM ALUMINUM	DW DISHWASHER	JNT JOINT	SC SOLID CORE
APC ACOUSTICAL PANEL CEILING	DWG DRAWING	L LENGTH	SECT SECTION
AWP ACOUSTIC WOOD PANEL	EA EACH	LAV LAVATORY	SHLV SHELVE
B.O. BOTTOM OF	EJ EXPANSION JOINT	M.O. MASONRY OPENING	SHT SHEET
BLDG BUILDING	FT FULLY TEMPERED GLASS	MAX MAXIMUM	SM SIMILAR
BLK BLOCK	FT-AE FT ACID ETCHED GLASS	MECH MECHANICAL	SJ SOFT JOINT
BLKHD BULKHEAD	FT-TINT FT TINTED GLASS	MEZZ MEZZANINE	SRD SECONDARY ROOF DRAIN
BM BEAM	GCMU GLAZED CONCRETE MASONRY UNIT	MFR MANUFACTURER	STL STEEL
BRG BEARING	GMU GLAZED MASONRY UNIT	MIN MINIMUM	STN STAIN
BRK BRICK	GWB GYPSUM WALLBOARD OR GYPSUM BOARD	MTL METAL	STOR STORAGE
BRK LDB BRICK LEDGE	H HEIGHT	N.I.C. NOT IN CONTRACT	STRUCT STRUCTURE
BSMT BASEMENT	HC HOLLOW CORE	NTS NOT TO SCALE	SV SHEET VINYL
CACMU COLOR ADDED CMU	HDBD HARDBOARD	O.C. ON CENTER	T.O. TOP OF
CAPT CAPITAL	HM HOLLOW METAL	O.D. OUTSIDE DIAMETER	T.O.W. TOP OF WALL
CJ CONTROL OR CONTRACTION JOINT	HORIZ HORIZONTAL	OHD OVERHEAD DOOR	THK THICK
CL CLOSET	IG-LE INSULATING GLASS - LOW 'E'	OPNG OPENING	TYP TYPICAL
CLG CEILING	INSUL INSULATION	OPP OPPOSITE HAND	U.N.O. UNLESS NOTED OTHERWISE
CMT CERAMIC MOSAIC TILE	JNT JOINT	ORD OVERFLOW ROOF DRAIN	VCT VINYL COMPOSITION TILE
CMU CONCRETE MASONRY UNIT	JNT JOINT	PCST PRECAST	VT VERTICAL
COL COLUMN	OPNG OPENING	PLAM PLASTIC LAMINATE	VT VINYL TILE
CONC CONCRETE	FLR FLOOR	PLAS PLASTER	VWB VINYL WALL BASE
COND CONDITION	FLR FLOOR	PLYWD PLYWOOD	VWC VINYL WALL COVERING
CONT CONTINUOUS	FLR FLOOR	PNT PAINT	W WIDTH
CPT CARPET	FLR FLOOR	QT QUARRY TILE	W WITH
CRNR CORNER	FLR FLOOR	R RADIUS	WO WITHOUT
CSK COUNTERSINK	FLR FLOOR	R.O. ROUGH OPENING	WC WATER CLOSET
CT CERAMIC TILE	FLR FLOOR	RD ROOF DRAIN	WD WOOD
DBL DOUBLE	FLR FLOOR	REF REFERENCE	WDW WINDOW
DF DRINKING FOUNTAIN	FLR FLOOR	REFR REFRIGERATOR	WP WOOD PANEL
DIA DIAMETER	FLR FLOOR	REQD REQUIRED	WWF WELDED WIRE FABRIC
DISP DISPOSAL	FLR FLOOR		

**GENERAL NOTES**

ALL DIMENSIONS ARE REFERENCED FROM FACE OF FRAMING STUD, FACE OF MASONRY, FACE OF CAST-IN-PLACE CONCRETE OR FACE OF PRECAST UNLESS NOTED OTHERWISE.  
WHERE REMOVAL OF ITEMS LEAVES A HOLE OR DAMAGED SURFACE THAT WILL BE EXPOSED IN FINISHED WORK, PATCH AND REPAIR DAMAGE TO MATCH ADJACENT FINISHED SURFACE.  
COORDINATE WORK OF ALL OTHER TRADES WITH YOUR TRADE PRIOR TO STARTING ANY CONSTRUCTION.  
FIELD VERIFY EXISTING CONDITIONS AND DIMENSIONS PRIOR TO COMMENCEMENT OF ANY NEW CONSTRUCTION.  
GENERAL CONTRACTOR SHALL BE RESPONSIBLE FOR THE COORDINATION OF THE WORK OF ALL TRADES.  
CONSULT ARCHITECT / STRUCTURAL ENGINEER FOR ANY AND ALL LOCATIONS WHERE UNFORSEEN OR UNUSUAL STRUCTURAL CONDITIONS EXIST.  
DO NOT SCALE DIMENSIONS FROM THESE DRAWINGS.  
VERIFY ALL DIMENSIONS AND REPORT ANY DISCREPANCIES TO THE ARCHITECT IMMEDIATELY.  
PROVIDE BLOCKING IN WALLS FOR ALL BASE AND WALL CABINETS, TELEVISIONS, WALL HUNG EQUIPMENT, BATH ACCESSORIES AND WALL APPLIED DOOR HARDWARE.  
PLUMBING / ELECTRICAL TRADES SHALL COORDINATE THEIR WORK WITH FOUNDATIONS AS REQUIRED IN MECHANICAL / ELECTRICAL SPECIFICATIONS AND NOTES. PENETRATIONS / SLEEVES SHALL BE COORDINATED WITH ARCHITECT AND STRUCTURAL ENGINEER.

**PROJECT CONSULTANTS**  
STRUCTURAL ENGINEER  
ADDRESS  
CITY  
STATE  
ZIP  
T. 402.477.7400  
CIVIL ENGINEER  
ADDRESS  
CITY  
STATE  
ZIP  
T. 402.477.7400  
MECHANICAL/ELECTRICAL ENGINEER  
ADDRESS  
CITY  
STATE  
ZIP  
T. 402.477.7400

**Bone Creek Museum of Agrarian Art**  
Bone Creek Museum of Agrarian Art

PROJECT NO. 13001

6191 N 14th St, Lincoln, NE 68521  
T. 402.435.9203  
**Drawing Standards**

**KEY PLAN**

**GMP PACKAGE**  
NOT TO BE USED FOR CONSTRUCTION

7/16/2013 6:08:14 PM  
**G101**